

# DATECH

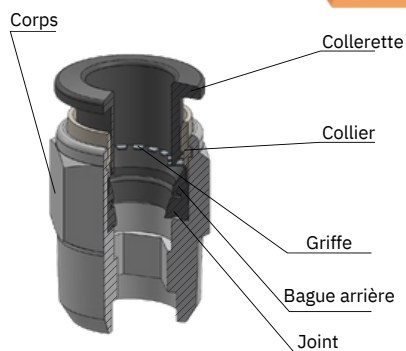
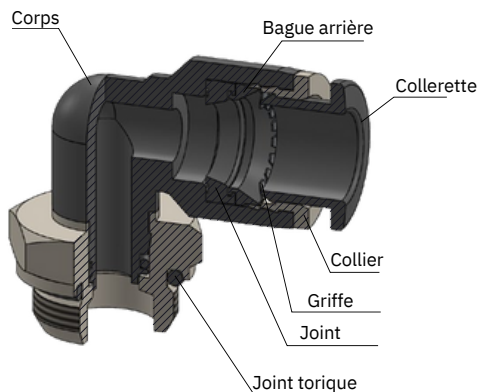


RACCORDS INSTANTANÉS BPT

SÉRIE IP

# RACCORDS INSTANTANÉS BPT

# SÉRIE IP



<b>Fluide</b>	Air comprimé
<b>Températures de fonctionnement</b>	-20°C / +80°C
<b>Pression de fonctionnement</b>	16 bar
<b>Pression négative</b>	-0,95 bar
<b>Matériaux</b>	Corps : Laiton nickelé et PBT Collettere : POM Collier : Zinc Griffes : Inox Bague arrière : POM Joint : NBR Joint torique : NBR



**IPD1-G**  
IPD1-04M5  
IPD1-04M6  
IPD1-04M7  
IPD1-04G18  
IPD1-04G14  
IPD1-06M5  
IPD1-06M6  
IPD1-06M7  
IPD1-06G18  
IPD1-06G14  
IPD1-06G38  
IPD1-06G12  
IPD1-08G18  
IPD1-08G14  
IPD1-08G38  
IPD1-08G12  
IPD1-10G18  
IPD1-10G14  
IPD1-10G38  
IPD1-10G12  
IPD1-12G14  
IPD1-12G38  
IPD1-12G12  
IPD1-16G38  
IPD1-16G12



**IPD1-R**  
IPD1-04R18  
IPD1-06R18  
IPD1-08R18  
IPD1-10R18  
IPD1-04R14  
IPD1-06R14  
IPD1-08R14  
IPD1-10R14  
IPD1-12R14  
IPD1-08R38  
IPD1-16R38  
IPD1-08R38  
IPD1-10R38  
IPD1-12R38  
IPD1-06R12  
IPD1-10R12  
IPD1-12R12  
IPD1-16R12



**IPD2-G**  
IPD2-04G18  
IPD2-04G14  
IPD2-06G18  
IPD2-06G14  
IPD2-06G38  
IPD2-08G18  
IPD2-08G14  
IPD2-08G38  
IPD2-08G12  
IPD2-10G18  
IPD2-10G14  
IPD2-10G38  
IPD2-10G12  
IPD2-12G14  
IPD2-12G38  
IPD2-12G12



**IPD3**  
IPD3-0400  
IPD3-0600  
IPD3-0800  
IPD3-1000  
IPD3-1200  
IPD3-1400  
IPD3-1600



**IPD3**  
IPD3-0604  
IPD3-0806  
IPD3-1008  
IPD3-1208  
IPD3-1210  
IPD3-1410  
IPD3-1412  
IPD3-1610  
IPD3-1612  
IPD3-1614



**IPC3**  
IPC3-0400  
IPC3-0600  
IPC3-0800  
IPC3-1000  
IPC3-1200  
IPC3-1400  
IPC3-1600



**IPC1-G**  
IPC1-04M5  
IPC1-04M6  
IPC1-04G18  
IPC1-04G14  
IPC1-06M5  
IPC1-06M6  
IPC1-06G18  
IPC1-06G14  
IPC1-06G38  
IPC1-06G12  
IPC1-08G18  
IPC1-08G14  
IPC1-08G38  
IPC1-08G12  
IPC1-10G18  
IPC1-10G14  
IPC1-10G38  
IPC1-10G12  
IPC1-12G14  
IPC1-12G38  
IPC1-12G12



**IPC1-R**  
IPC1-04R18  
IPC1-04R14  
IPC1-06R18  
IPC1-06R14  
IPC1-06R38  
IPC1-06R12  
IPC1-08R18  
IPC1-08R14  
IPC1-08R38  
IPC1-08R12  
IPC1-10R18  
IPC1-10R14  
IPC1-10R38  
IPC1-10R12  
IPC1-12R14  
IPC1-12R38  
IPC1-12R12



**IPC4-G**  
IPC4-04M5  
IPC4-04M6  
IPC4-04G18  
IPC4-04G14  
IPC4-06M5  
IPC4-06M6  
IPC4-06G18  
IPC4-06G14  
IPC4-06G38  
IPC4-06G12  
IPC4-08G18  
IPC4-08G14  
IPC4-08G38  
IPC4-08G12  
IPC4-10G18  
IPC4-10G14  
IPC4-10G38  
IPC4-10G12  
IPC4-12G14  
IPC4-12G38  
IPC4-12G12



**IPC4-R**  
IPC4-04R18  
IPC4-04R14  
IPC4-06R18  
IPC4-06R14  
IPC4-06R38  
IPC4-06R12  
IPC4-08R18  
IPC4-08R14  
IPC4-08R38  
IPC4-08R12  
IPC4-10R18  
IPC4-10R14  
IPC4-10R38  
IPC4-10R12  
IPC4-12R14  
IPC4-12R38  
IPC4-12R12



**IPC7-G**  
IPC7-04M5  
IPC7-04M6  
IPC7-04G18  
IPC7-04G14  
IPC7-06M5  
IPC7-06M6  
IPC7-06G18  
IPC7-06G14  
IPC7-06G38  
IPC7-06G12  
IPC7-08G18  
IPC7-08G14  
IPC7-08G38  
IPC7-08G12  
IPC7-10G18  
IPC7-10G14  
IPC7-10G38  
IPC7-10G12  
IPC7-12G14  
IPC7-12G38  
IPC7-12G12



**IPC7-R**  
IPC7-04R18  
IPC7-04R14  
IPC7-06R18  
IPC7-06R14  
IPC7-06R38  
IPC7-06R12  
IPC7-08R18  
IPC7-08R14  
IPC7-08R38  
IPC7-08R12  
IPC7-10R18  
IPC7-10R14  
IPC7-10R38  
IPC7-10R12  
IPC7-12R14  
IPC7-12R38  
IPC7-12R12



**IPC8**  
IPC8-0400  
IPC8-0600  
IPC8-0800  
IPC8-1000  
IPC8-1200



**IPR1**  
IPR1-0604  
IPR1-0804  
IPR1-0806  
IPR1-1006  
IPR1-1008  
IPR1-1206  
IPR1-1208  
IPR1-1210



**IPT1**  
IPT1-0400  
IPT1-0604  
IPT1-0600  
IPT1-0806  
IPT1-0800  
IPT1-1008  
IPT1-1000  
IPT1-1210  
IPT1-1200  
IPT1-1400  
IPT1-1612



**IPT3-G**  
IPT3-04M5  
IPT3-04M6  
IPT3-04G18  
IPT3-04G14  
IPT3-06M5  
IPT3-06M6  
IPT3-06G18  
IPT3-06G14  
IPT3-06G38  
IPT3-06G12  
IPT3-08G18  
IPT3-08G14  
IPT3-08G38  
IPT3-08G12  
IPT3-10G18  
IPT3-10G14  
IPT3-10G38  
IPT3-10G12  
IPT3-12G14  
IPT3-12G38  
IPT3-12G12  
IPT3-14G38  
IPT3-14G12  
IPT3-16G38  
IPT3-16G12



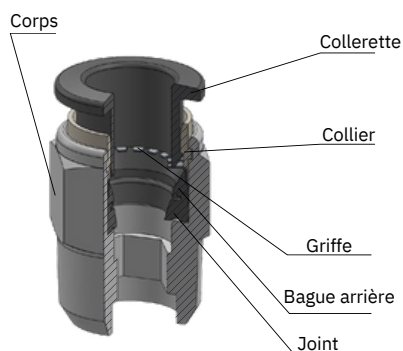
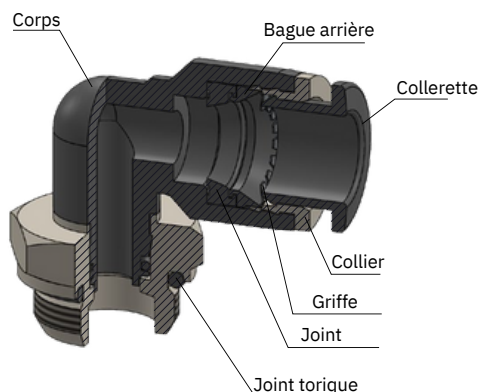
**IPT3-R**  
IPT3-04R18  
IPT3-04R14  
IPT3-06R18  
IPT3-06R14  
IPT3-06R38  
IPT3-06R12  
IPT3-08R18  
IPT3-08R14  
IPT3-08R38  
IPT3-08R12  
IPT3-10R18  
IPT3-10R14  
IPT3-10R38  
IPT3-10R12  
IPT3-12R14  
IPT3-12R38  
IPT3-12R12  
IPT3-16R38  
IPT3-16R12



**IPT2-G**  
IPT2-04M5  
IPT2-04M6  
IPT2-04G18  
IPT2-04G14  
IPT2-06M5  
IPT2-06M6  
IPT2-06G18  
IPT2-06G14  
IPT2-06G38  
IPT2-06G12  
IPT2-08G18  
IPT2-08G14  
IPT2-08G38  
IPT2-08G12  
IPT2-10G18  
IPT2-10G14  
IPT2-10G38  
IPT2-10G12  
IPT2-12G14  
IPT2-12G38  
IPT2-12G12

# RACCORDS INSTANTANÉS BPT

# SÉRIE IP



<b>Fluide</b>	Air comprimé
<b>Températures de fonctionnement</b>	-20°C / +80°C
<b>Pression de fonctionnement</b>	16 bar
<b>Pression négative</b>	-0,95 bar
<b>Matériaux</b>	Corps : Laiton nickelé et PBT Collettere : POM Collier : Zinc Griffes : Inox Bague arrière : POM Joint : NBR Joint torique : NBR



### IPT2-R

IPT2-04R18  
IPT2-04R14  
IPT2-06R18  
IPT2-06R14  
IPT2-06R38  
IPT2-06R12  
IPT2-08R18  
IPT2-08R14  
IPT2-08R38  
IPT2-08R12  
IPT2-10R18  
IPT2-10R14  
IPT2-10R38  
IPT2-10R12  
IPT2-12R14  
IPT2-12R38  
IPT2-12R12



### IPY1

IPY1-0400  
IPY1-0604  
IPY1-0600  
IPY1-0806  
IPY1-0800  
IPY1-1008  
IPY1-1000  
IPY1-1210  
IPY1-1200  
IPY1-1600



### IPY2-G

IPY2-04G18  
IPY2-04G14  
IPY2-04M5  
IPY2-04M6  
IPY2-06G18  
IPY2-06G14  
IPY2-06G38  
IPY2-06G12  
IPY2-06M5  
IPY2-06M6  
IPY2-06G18  
IPY2-08G14  
IPY2-08G38  
IPY2-08G12  
IPY2-08G18  
IPY2-10G18  
IPY2-10G14  
IPY2-10G38  
IPY2-10G12  
IPY2-12G14  
IPY2-12G38  
IPY2-12G12



### IPY2-R

IPY2-04R18  
IPY2-04R14  
IPY2-06R18  
IPY2-06R14  
IPY2-06R38  
IPY2-06R12  
IPY2-08R18  
IPY2-08R14  
IPY2-08R38  
IPY2-08R12  
IPY2-10R18  
IPY2-10R14  
IPY2-10R12  
IPY2-12R14  
IPY2-12R38  
IPY2-12R12



### IPY2

IPY2-0400  
IPY2-0604  
IPY2-0600  
IPY2-0806  
IPY2-0800  
IPY2-1008  
IPY2-1000  
IPY2-1210  
IPY2-1200



### IPC6

IPB6-0400  
IPB6-0600  
IPB6-0800  
IPB6-1000  
IPB6-1200



### IPTC1

IPTC1-0400  
IPTC1-0600  
IPTC1-0800  
IPTC1-1000  
IPTC1-1200



### IPTC1-G

IPTC1-04G18  
IPTC1-04G14  
IPTC1-06G18  
IPTC1-06G14  
IPTC1-06G38  
IPTC1-08G18  
IPTC1-08G14  
IPTC1-08G38  
IPTC1-08G12  
IPTC1-10G18  
IPTC1-10G14  
IPTC1-10G38  
IPTC1-10G12  
IPTC1-12G14  
IPTC1-12G38  
IPTC1-12G12



### IPTC2

IPTC2-0400  
IPTC2-0600  
IPTC2-0800  
IPTC2-1000  
IPTC2-1200



### IPN5

IPN5-0400  
IPN5-0600  
IPN5-0800



### IPN6

IPN6-0604  
IPN6-0804  
IPN6-0806  
IPN6-1006  
IPN6-1008



### IPN7

IPN7-0604  
IPN7-0804  
IPN7-0806  
IPN7-1006  
IPN7-1008



### IPN4-G

IPN4-0604G01  
IPN4-0804G02  
IPN4-0806G02  
IPN4-1008G03



### IPN4-R

IPN4-0604R01  
IPN4-0804R02  
IPN4-0806R02  
IPN4-1008R03



### IPB4

IPB4-0400  
IPB4-0600  
IPB4-0800  
IPB4-1000  
IPB4-1200



### IPB5

IPB5-0400  
IPB5-0600  
IPB5-0800  
IPB5-1000  
IPB5-1200  
IPB5-1400  
IPB5-1600



### IPTC1-P

IPTC1-0400P  
IPTC1-0600P  
IPTC1-0800P  
IPTC1-1000P  
IPTC1-1200P