

# DATECH

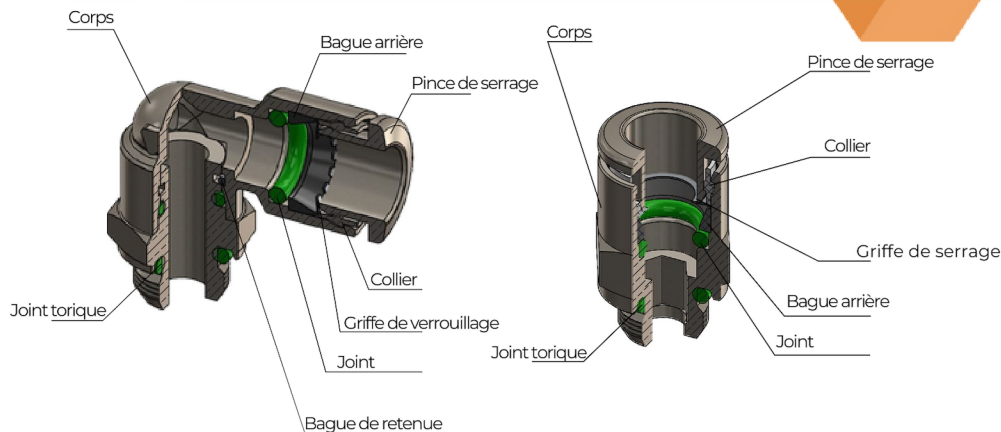


RACCORDS INSTANTANÉS INOX

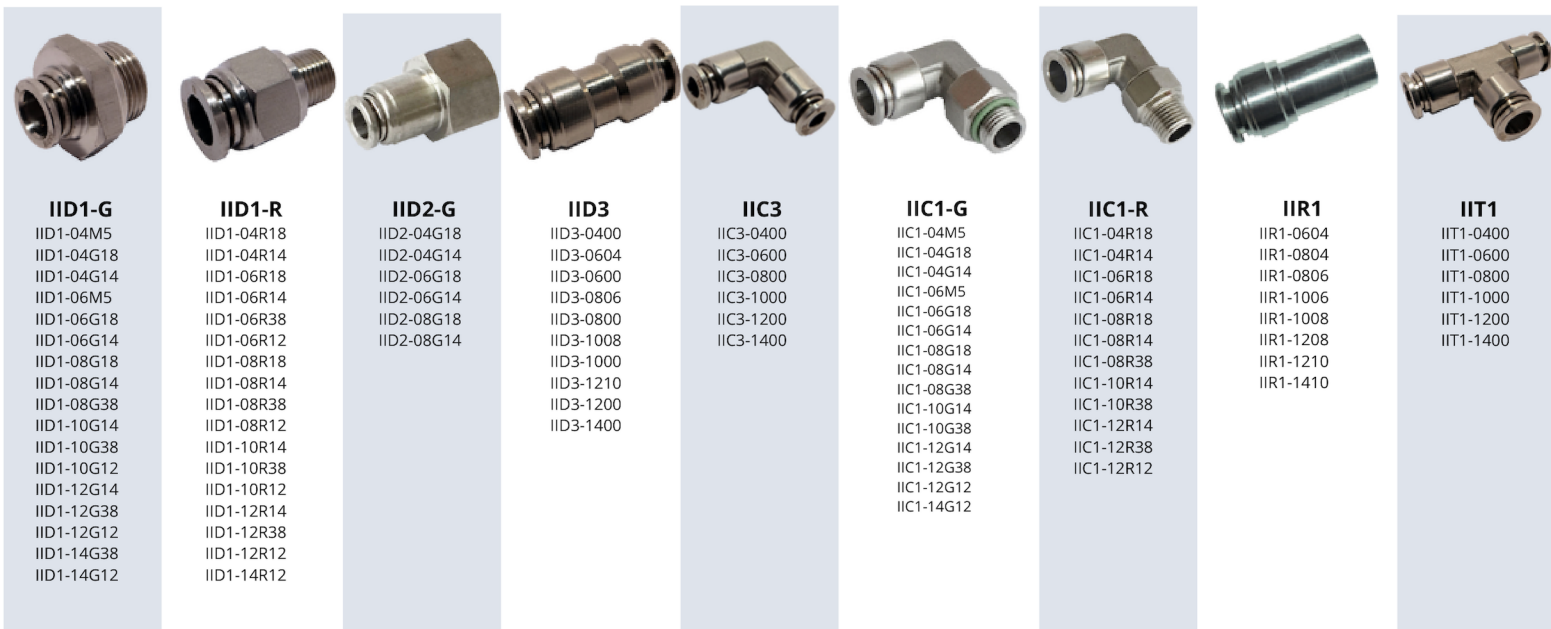
SÉRIE II

# RACCORDS INSTANTANÉS INOX

# SÉRIE II



<b>Fluide</b>	Air comprimé
<b>Températures de fonctionnement</b>	-20°C / +150°C
<b>Pression de fonctionnement</b>	20 bar
<b>Pression négative</b>	-0,95 bar
<b>Matériaux</b>	Corps : Inox Pince de serrage : Inox Collier : PVDF-UHM FDA Griffe de serrage : Inox Bague arrière : PVDF-UHM FDA Joint : FKM NSF / ANSI Joint torique : FKM NSF / ANSI



### IID1-G

IID1-04M5  
IID1-04G18  
IID1-04G14  
IID1-06M5  
IID1-06G18  
IID1-06G14  
IID1-08G18  
IID1-08G14  
IID1-08G38  
IID1-10G14  
IID1-10G38  
IID1-10G12  
IID1-12G14  
IID1-12G38  
IID1-12G12  
IID1-14G38  
IID1-14G12

### IID1-R

IID1-04R18  
IID1-04R14  
IID1-06R18  
IID1-06R14  
IID1-06R38  
IID1-06R12  
IID1-08R18  
IID1-08R14  
IID1-08R38  
IID1-10R14  
IID1-10R38  
IID1-10R12  
IID1-12R14  
IID1-12R38  
IID1-12R12  
IID1-14R12

### IID2-G

IID2-04G18  
IID2-04G14  
IID2-06G18  
IID2-06G14  
IID2-08G18  
IID2-08G14

### IID3

IID3-0400  
IID3-0604  
IID3-0600  
IID3-0806  
IID3-0800  
IID3-1008  
IID3-1000  
IID3-1210  
IID3-1200  
IID3-1400

### IIC3

IIC3-0400  
IIC3-0600  
IIC3-0800  
IIC3-1000  
IIC3-1200  
IIC3-1400

### IIC1-G

IIC1-04M5  
IIC1-04G18  
IIC1-04G14  
IIC1-06M5  
IIC1-06G18  
IIC1-06G14  
IIC1-08G18  
IIC1-08G14  
IIC1-08G38  
IIC1-10G14  
IIC1-10G38  
IIC1-12G14  
IIC1-12G38  
IIC1-12G12  
IIC1-14G12

### IIC1-R

IIC1-04R18  
IIC1-04R14  
IIC1-06R18  
IIC1-06R14  
IIC1-08R18  
IIC1-08R14  
IIC1-10R14  
IIC1-10R38  
IIC1-12R14  
IIC1-12R38  
IIC1-12R12

### IIR1

IIR1-0604  
IIR1-0804  
IIR1-0806  
IIR1-1006  
IIR1-1008  
IIR1-1208  
IIR1-1210  
IIR1-1410

### IIT1

IIT1-0400  
IIT1-0600  
IIT1-0800  
IIT1-1000  
IIT1-1200  
IIT1-1400

### IIT3-G

IIT3-04M5  
IIT3-04G18  
IIT3-06G18  
IIT3-06G14  
IIT3-08G18  
IIT3-08G14  
IIT3-10G14  
IIT3-10G38  
IIT3-12G38

### IIB4

IIB4-0400  
IIB4-0600  
IIB4-0800  
IIB4-1000  
IIB4-1200  
IIB4-1400

### IITC1

IITC1-0400  
IITC1-0600  
IITC1-0800  
IITC1-1000  
IITC1-1200  
IITC1-1400